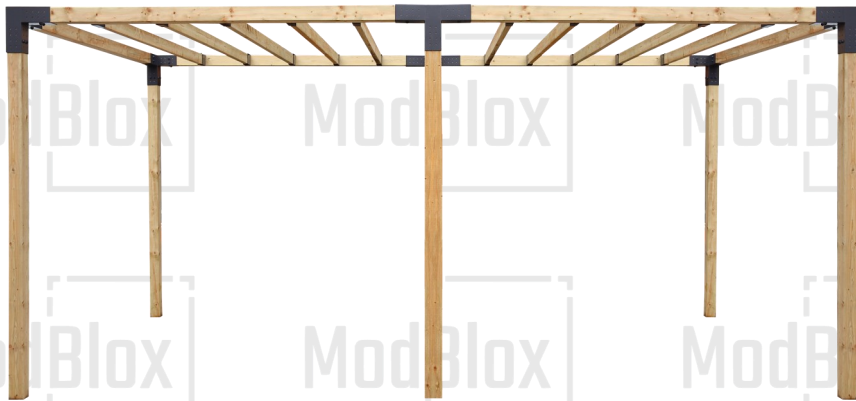


ModBlox

INSTRUCTION MANUAL



ModBlox™ Extra Wide

1 Hour Approximate Build Time

3 People Recommended For Assembly

ModBlox – a modular revolution for your garden space!

GENERAL INFORMATION

IMPORTANT – Before undertaking any work, first take measurements of your planned install location so you can work out before you begin the build if you are going to have adequate space not only for the structure, but around it (if appropriate) for access.

Assembling your ModBlox pergola is fun and easy, even for novices with little or no building experience. Assembly with a friend can be done in as little as an hour (longer if your pergola includes roof rafters and/or a privacy wall). You won't need any speciality tools, either... just a drill, tape measure, level, ladder and saw (if required).

Our ModBlox pergola kits include everything you'll need to assemble your own beautiful garden pergola except the Post Mix / Ground Fixings (sold separately).

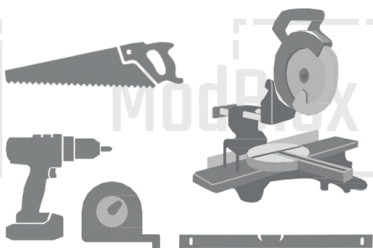
SAFETY INFORMATION

- Do not leave your pergola unattended before installation is complete and the pergola is secured to the ground.
- Follow instructions precisely to avoid injury to yourself or others.
- Avoid scratching or bending the ModBlox pergola brackets to protect against damaging the coating which can lead to potential rusting.
- Safety glasses and safety gloves are encouraged during installation.
- Avoid installing your ModBlox pergola during inclement weather including rain, snow or windy conditions.
- In the event that you have pieces missing, please contact us at hello@ModBlox.com

RECOMMENDED TOOLS



Wear protective gloves, glasses and ear protectors where appropriate.

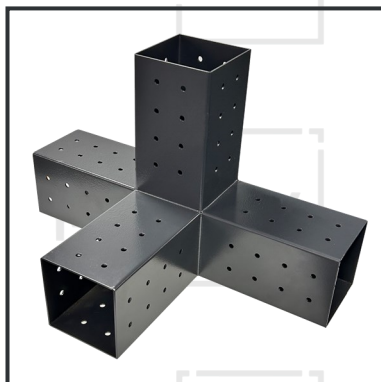


Hand Saw / Table Saw, Drill driver, Tape Measure, Spirit Level

KIT CONTENTS



**4 x ModBlox™
TriSleeves**



**2 x ModBlox™
QuadSleeves**

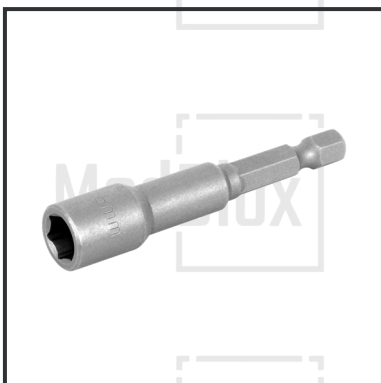


**7 x Roof ModPost™
(92mm x 92mm)**

**6 x Upright ModPost™
(92mm x 92mm)**



**80 x 40mm Fixing
Screws with Caps**



**1 x 8mm Hex Head
Driver Bit**

STEP 1 - Roof Assembly

Lay out all of your roof beams, TriSleeves and QuadSleeves that are included in your kit as per the top view diagram to the right to establish the correct shape for your pergola.

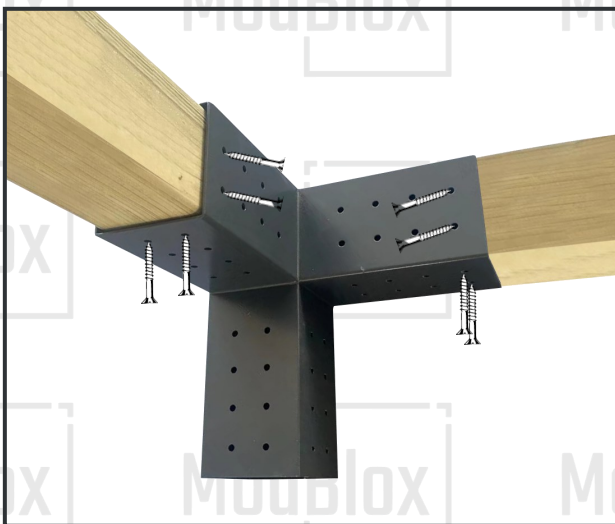
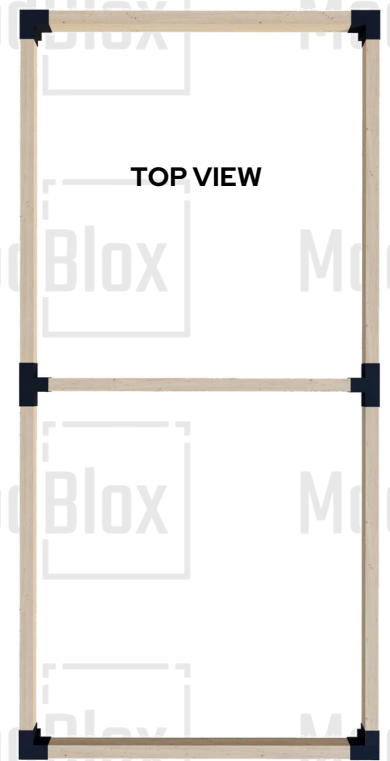
With everything laid out correctly you can start to slide the roof beams into the brackets.

The timber should be pushed into the TriSleeves until that the wood fills the entire channel and then secured into the brackets using 8 of the provided screws as shown in the screw diagrams below.

Since the QuadSleeves have a straight through channel where the two halves of your pergola join, we recommend measuring the end of the post that you are going to insert and mark it at 170mm from the end and use this as a guide for how much you need to insert the timber into the bracket.

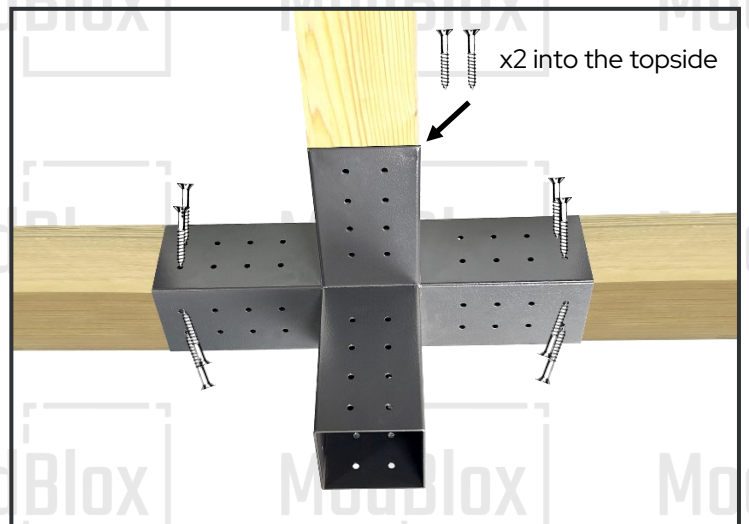
Doing this will ensure that your pergola is square and wont cause any problems later on in the build if you are adding rafters or slat walls etc which are designed to fit when built as per these instructions.

Finish by covering the screw heads with the provided colour matching caps.



3Way Bracket Fixing Diagram

8 x 40mm Fixing Screws with Caps



4Way Bracket Fixing Diagram

12 x 40mm Fixing Screws with Caps

Whilst you can use any of the holes you want if space is restricted or you want to hide them from view, we always recommend using the screw holes nearest the end on the underneath side of the roof, and on the side of the frame as indicated in the above two images, this ensures maximum strength.

STEP 2 - Installing Corner Posts

With the roof frame all joined together securely the corner posts can now be added.

Lift one side of the assembled roof with the assistance of 1 or 2 helpers, and slide into position the corner posts into both TriSleeves / QuadSleeve on that side until they hit the top of the brackets. Secure the posts to the sleeves using the provided 40mm fixing screws and finish with the screw caps.

With the first set of legs added and secured in place, the other side can now be added, following the same method.

Raise the other side of the roof assembly and slide the posts into the 3 remaining sleeves until they hit the top of the brackets. Secure the posts to the 3way brackets using the provided 40mm fixing screws and finish with the screw caps.

NOTE:

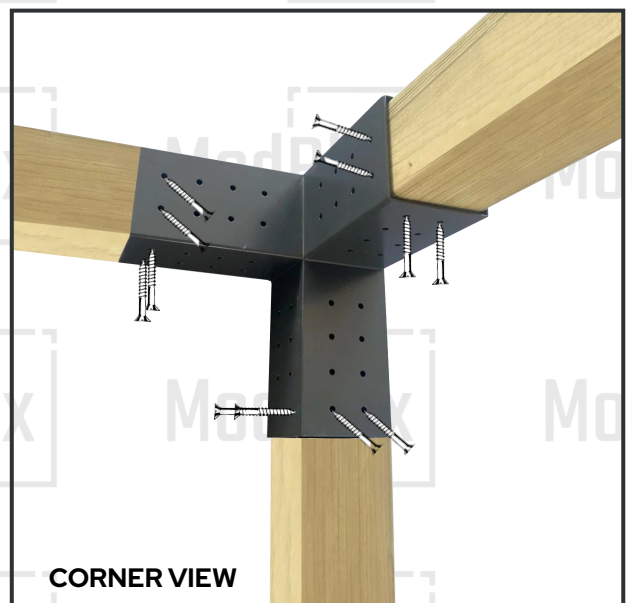
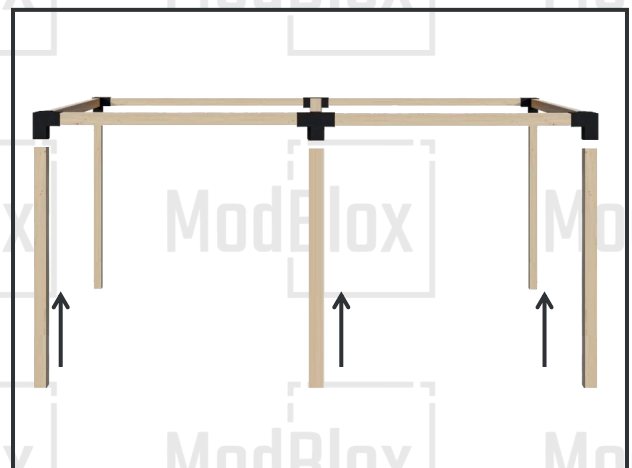
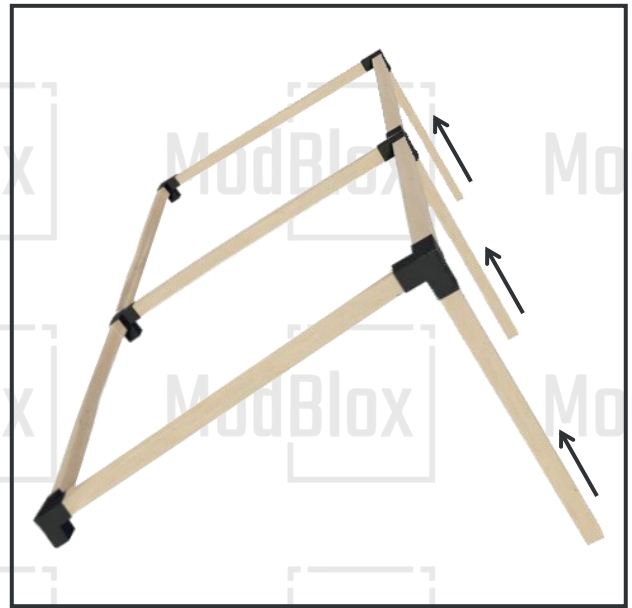
If you need to use a ladder to reach the corner bracket to fix the screws in place, ask a friend to assist and take standard safety measures into consideration to avoid injury.

The image on the right shows how we expect all four of the corners to look once you have everything secured in place.

Each Tri/QuadSleeve in your kit includes 12 40mm fixing screws and caps.

See the screw diagram to the right to see which 12 holes the screws should go in.

(Additional holes are for attaching accessories.)



STEP 3 - Ground Fixing

With the build complete you now need to fix the pergola in its final position. It is important to attach it in the right way to the surface on which it will stand.

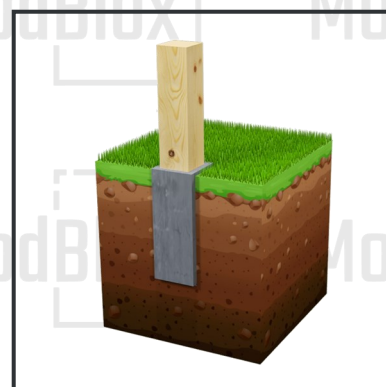
If you have purchased one of our kits you will have chosen one of the three options outlined below.

A general rule to remember for all footings is that it should be level. The footing should also be firm, so that the pergola is well anchored and stands stable even in strong winds and remain solidly fixed for years to come.

OPTION A - Concrete In (2.7m Posts)

If you have chosen our concrete in option, your kits will come provided with longer posts, allowing for 600mm to be bedded into the ground and fixed with concrete/postmix. (sold separately).

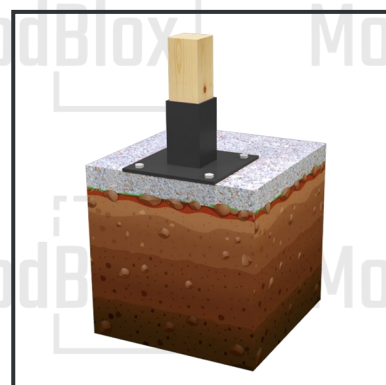
This will leave your pergola with a finished high of approximately 2.1m / 7ft.



OPTION B - UniSleeves (2.1m Posts)

Bolt down anchors are the ideal to secure your posts onto a concrete base, brick wall, or other hard flat surfaces such as decking.

We recommend using a Hex Head M8 x 60mm Thunderbolts or similar (sold separately). Simply line up your anchor in your chosen final position that drill a hole using the correct masonry drill bit, remove the dust and debris and wind in until fastened down tight. The anchors can then be tightened to the post using the 2 bolts on the side which locks it into its final position

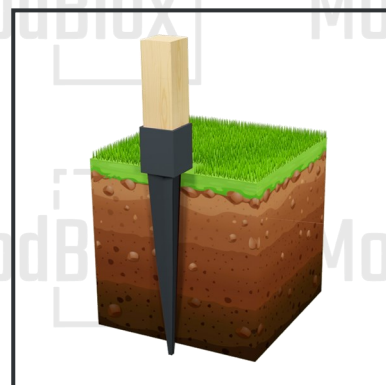


OPTION C - UniSpikes (2.1m Posts)

Steel spikes are designed for soft ground and areas with no hard standing the advantage is that it removes the need to dig post holes and pour concrete.

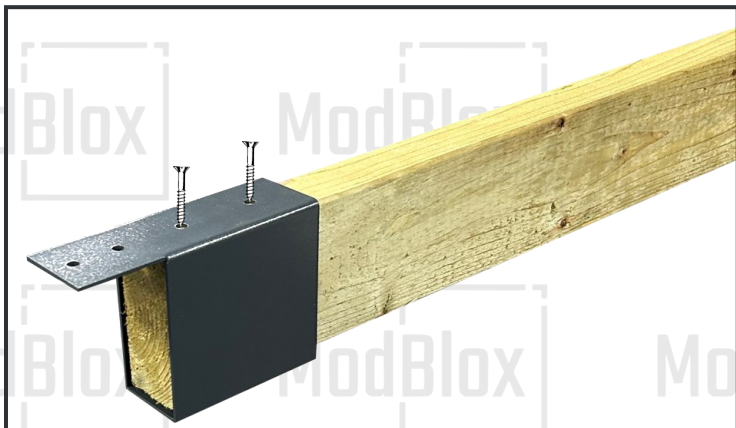
All you need to do is put the spike in the place you would like it and hammer into the ground with a sledge hammer, we recommend using an off cut of timber to avoid damaging the spike.

The further the spike is into the ground the harder it will be to realign, so check the level frequently as you go deeper. The spike can then be tightened to the post using the 2 bolts on the side which locks it into its final position.



STEP 4 - Adding Rafters

Begin by adding all your rafter sleeves on both ends of all your rafter timber, the face of your rafter timber should sit flush with edge of the sleeve as shown in the image to the right and fixed in place using two of the supplied 40mm Fixing Screws.



With all your rafters built it is then just a matter of placing them into position, equally spaced, approx. 400-500mm depending on the size of your pergola and fixing to the main frame using another two 40mm Fixing Screws.

The final step is to cover your screws with the provided caps to create a sleek modern finish.

